

DB 系列旋涡泵 SERIES PERIPHERAL PUMPS



WORKING CONDITIONS

Max Temperature of Fluid up to +80°C
Max Pressure 10bar,
Max Ambient Temperature up to 40°C

工作条件:

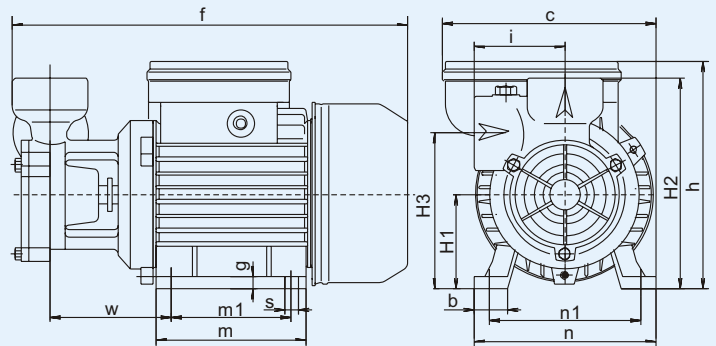
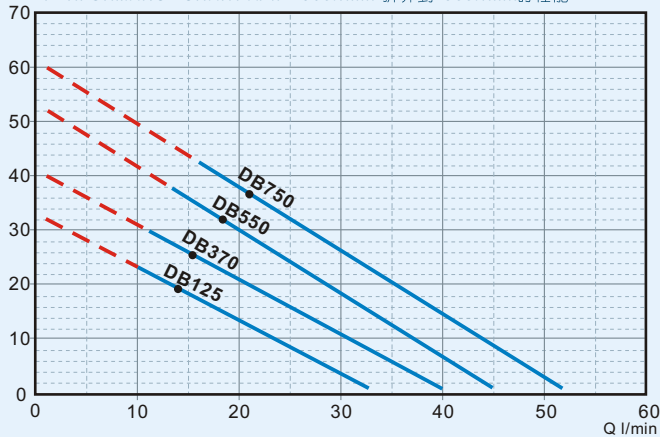
最高流体温度为80°C
最大可承受的压力10bar
最高环境温度40°C

DB series are suitable for pumping clean water. It is similar with IDB series in construction and use expect the direction of installation. They are particularly suitable for domestic applications such as Water supply from wells and pools, pressure boosting, garden sprinkling, washing booths.

DB 系列电泵用于输送清水，其结构及用途与IDB系列类似，仅安装的方向不同，典型用途是家庭或农户或小企业从井中或水池中提水，同时也适用于自来水增压、园艺用水或其它部件一起组成自动供水系统。



H m PERFORMANCE CHART AT n=2900r/min 折算到2900r/min时性能



DIMENSIONS 安装尺寸

TYPE 型号	Dimensions 外形尺寸 mm														Weight 重量 (kg)		Packing Size 包装尺寸 (mm)			Packing QTY. 包装数量	
	f	h	c	H1	H2	H3	i	m	m1	n	n1	w	b	g	s	NW	GW	L	W	H	20'Cont 20'柜
DB125	262	151	141	63	140	104	60	100	80	120	100	80	23	8	9	4.4	4.9	290	150	175	3400
DB370	262	151	141	63	140	104	60	100	80	120	100	80	23	8	9	5.2	5.7	290	150	175	3400
DB550	263	170	155	71	157	122	69	110	90	135	112	77	25	9	10	10.6	11.4	335	190	215	2000
DB750	263	170	155	71	157	122	69	110	90	135	112	77	25	9	10	11.4	12.2	335	190	215	1800

TECHNICAL DATA 技术参数

TYPE 型号	Input Power 输入功率		Current 电流 (A)	Capacitor 电容器 (F)	H.max 最高扬程 (m)	Q.max 最大流量 (l/min)	Size 进出口径 (inch)	S.Head 最大吸程 (m)	Total head 总扬程 (m)	Capacity 流量 l/min											
	KW	HP								10	15	20	25	30	35	40	50				
DB125	0.25	0.3	1.4	8	32	33	1"X1"	9	Total head	22.5	18	14	8	4							
DB370	0.37	0.5	1.5	8	41	40	1"X1"	9		31	26	21	16	11	6	1					
DB550	0.75	1	3.7	16	52	45	1"X1"	9		41.8	36	30	14	18	13	6.5					
DB750	1.1	1.5	4.6	20	62	53	1"X1"	9		49.5	44	38	32	26	20	14.5	3				

标准的电参数及零件配置，单相220V/50Hz、铜叶轮、碳钢轴、马达内置热保护器。可根据客户的其它参数及材料的要求，制作其它单、三相电压、60Hz、双电压、不锈钢轴等规格的产品。
Standard data and equipment: single phase 220V/50Hz, Brass impeller, carbon steel motor shaft, with motor protector inside.
Others model and material such as three phase, 110V, 60Hz, dual voltage, stainless steel shaft, etc, will be available upon request.