

# LQ 系列旋涡泵 SERIES PERIPHERAL PUMPS



## WORKING CONDITIONS

Max Temperature of Fluid up to +80°C  
Max Pressure 10bar,  
Max Ambient Temperature up to 40°C

### 工作条件:

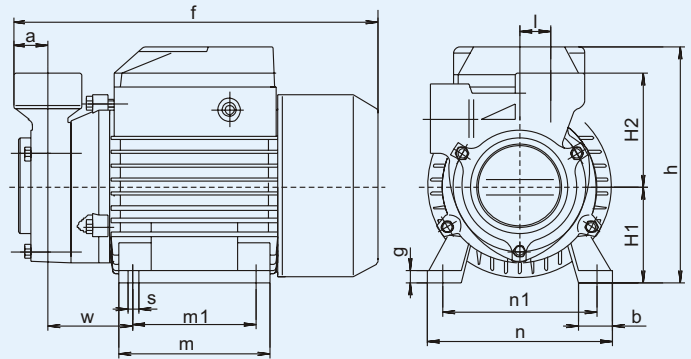
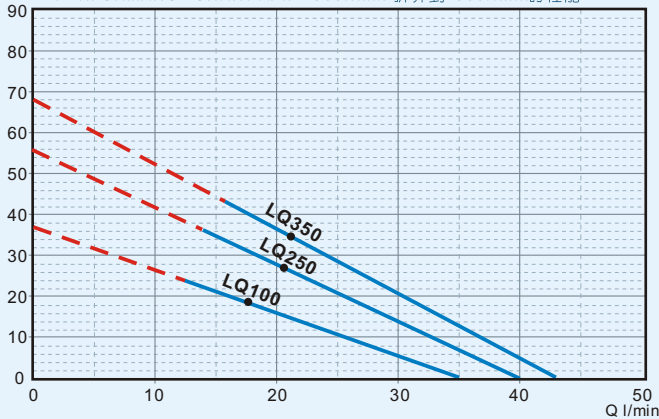
最高流体温度为80°C  
最大可承受的压力10bar  
最高环境温度40°C

LQ series are suitable for pumping clean water. It is similar with QB series in construction and use, expect the direction of installation. They are particularly suitable for domestic applications such as supply water from well, pool etc, the automatic distribution of water from surge tanks and pressure switch, gardening, and increasing of water pressure.

LQ 系列电泵用于输送清水，其结构及用途与QB系列类似，仅安装的方向不同，典型用途是家庭或农户或小企业从井中或水池中提水，同时也适用于自来水增压、园艺用水或与其它部件一起组成自动供水系统。



H m PERFORMANCE CHART AT n=2900r/min 折算到2900r/min时性能



## DIMENSIONS 安装尺寸

Type 型号	Dimensions 外形尺寸mm														Weight重量 (kg)		PackingSize 包装尺寸(mm)			Packing QTY. 包装数量
	a	f	h	H1	H2	l	m	m1	n	n1	w	b	g	s	NW	GW	L	W	H	20'Cont 20'柜
LQ100	22	237	152	63	75	78	98	80	120	100	55	22	8	7	5.6	6.0	280	145	180	3400
LQ250	22	253	179	71	80	83	110	90	134	112	68	23	8	7	8.6	9.1	310	180	200	2200
LQ350	22	253	179	71	80	83	110	90	134	112	68	23	8	7	8.6	9.1	310	180	200	2200

## TECHNICAL DATA 技术参数

TYPE 型号	Input Power 输入功率		Current 电流 (A)	Capacitor 电容器 (F)	H.max 最高扬程 (m)	Q.max 最大流量 (l/min)	Size 进出口径 (inch)	S.Head 最大吸程 (M)	Total head (m) 总扬程	Capacity 流量 l/min				
	KW	HP								5	10	20	30	40
LQ100	0.37	0.5	1.5	8	36	35	1"X1"	9	32	26	16	6	-	
LQ250	0.55	0.75	2.4	12	55	40	1"X1"	9	50	43	28	14	1	
LQ350	0.75	1	3.7	16	68	42	1"X1"	9	60	53	38	23	7	

标准的电参数及零件配置：单相220V/50Hz、铜叶轮、碳钢轴、马达内置热保护器。可根据客户的其它参数及材料的要求，制作其它单、三相电压、60Hz、双电压、不锈钢轴等规格的产品。  
Standard data and equipment: single phase 220V/50Hz, Brass impeller, carbon steel motor shaft, with terminal protector inside.  
Others model and material such as three phase, 110V, 60Hz, dual voltage, stainless steel shaft, etc, will be available upon request.